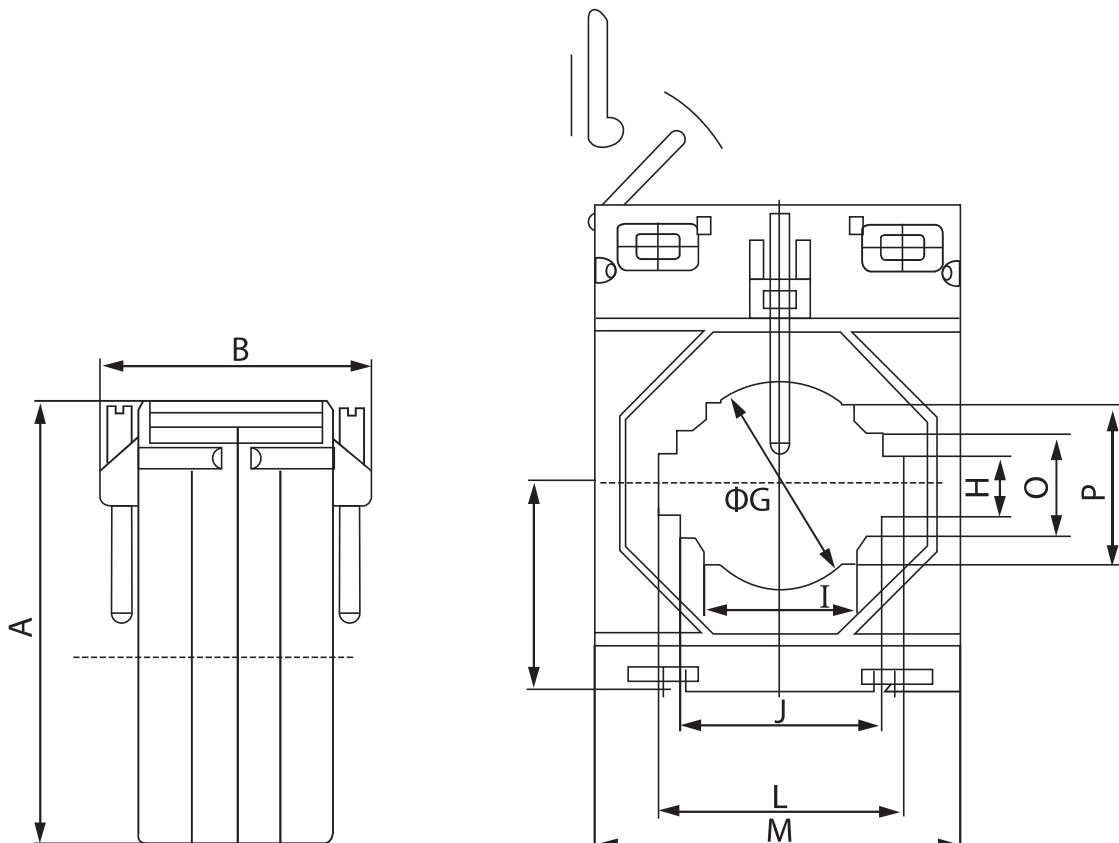


**CT Dimension Page (mm)**

Model	IDMM	A	B	G	H	I	J	L	M	O	P
PWCT		85	40						53		
CT14		65	42	14							
DM20	20	65	35	20					43		
CT20	20	88	57	20					62		
CT30	30	88	57	30	11	11	21	31	62	21	26
CT40	40	88	57	31	11	16	31	41	62	21	26
CT50	50	98	57	41	13	31	41	51	74	21	31
CT60	60	120	57	51	13	21	51	61	101	31	44
CT80	80	126	57	65	13	31	51	81	105	31	56
CT100	100	155	52	88	31	51	61	101	145	51	81
CT125	125	233	58	125	58	58		125	192	65	126
M24SC	24	65	34	24					45		
M36SC	36	85	40	36					67		
UK40	40	120	35	40					115		
DBP23		110	40					20	90		30
DBP58		145	45					50	115		80
DBP812		200	45					80	145		120
DBP816		245	65					80	185		160



## DBP Series Split Core Current Transformers

The connection of conventional CT's usually require interruption on the primary side of the circuit to pass cables or Busbars through the transformer or to connect such cables to the primary terminals. The DBP series transformers can be easily opened, installed and connected without any supply interruption, thus saving time and the installation costs.

### Features:

- Two built in fixing methods: Base and Busbar mounting.
- Wide inner window, allowing clamping of big existing installations.
- Primary Current from 100 - 5000A

### Specifications:

Rated Frequency : 50/60Hz  
 Rated test voltage : 3kV AC  
 Operating temperature : -10°C + 50°C  
 Secondary Current : 5A  
 \*other technical specifications, on request.



### Standards:

IEC60044-1, EN60044-1  
 VDE0414-44-1, GB1208-2006

Type	Ratio	Class:0.5	D	C	ID	Price
	(A)				A X B	
DBP-23	100/5	1.0	110	89	20x30	1079.00
DBP-23	150/5	1.5	110	89	20x30	1079.00
DBP-23	200/5	1.0	110	89	20x30	1079.00
DBP-58	150/5	1.5	145	114	50x80	1222.00
DBP-58	200/5	1.5	145	114	50x80	1222.00
DBP-58	250/5	1.5	145	114	50x80	1222.00
DBP-58	300/5	1.5	145	114	50x80	1222.00
DBP-58	400/5	1.5	145	114	50x80	1222.00
DBP-58	500/5	2.5	145	114	50x80	1222.00
DBP-58	600/5	2.5	145	114	50x80	1222.00
DBP-58	800/5	5	145	114	50x80	1222.00
DBP-58	1000/5	5	145	114	50x80	1222.00
DBP-812	800/5	2.5	200	144	80x120	1798.00
DBP-812	1000/5	3.75	200	144	80x120	1798.00
DBP-812	1250/5	10	200	144	80x120	1798.00
DBP-812	1500/5	7.5	200	144	80x120	1798.00
DBP-812	1600/5	7.5	200	144	80x120	1798.00
DBP-812	2000/5	10	200	144	80x120	1798.00
DBP-812	2500/5	15	200	144	80x120	1798.00
DBP-816	1000/5	10	245	184	80x160	2887.00
DBP-816	2000/5	20	245	184	80x160	2887.00
DBP-816	2500/5	15	245	184	80x160	3198.00
DBP-816	3000/5	20	245	184	80x160	3198.00
DBP-816	4000/5	20	245	184	80x160	3198.00
DBP-816	5000/5	20	245	184	80x160	3198.00

